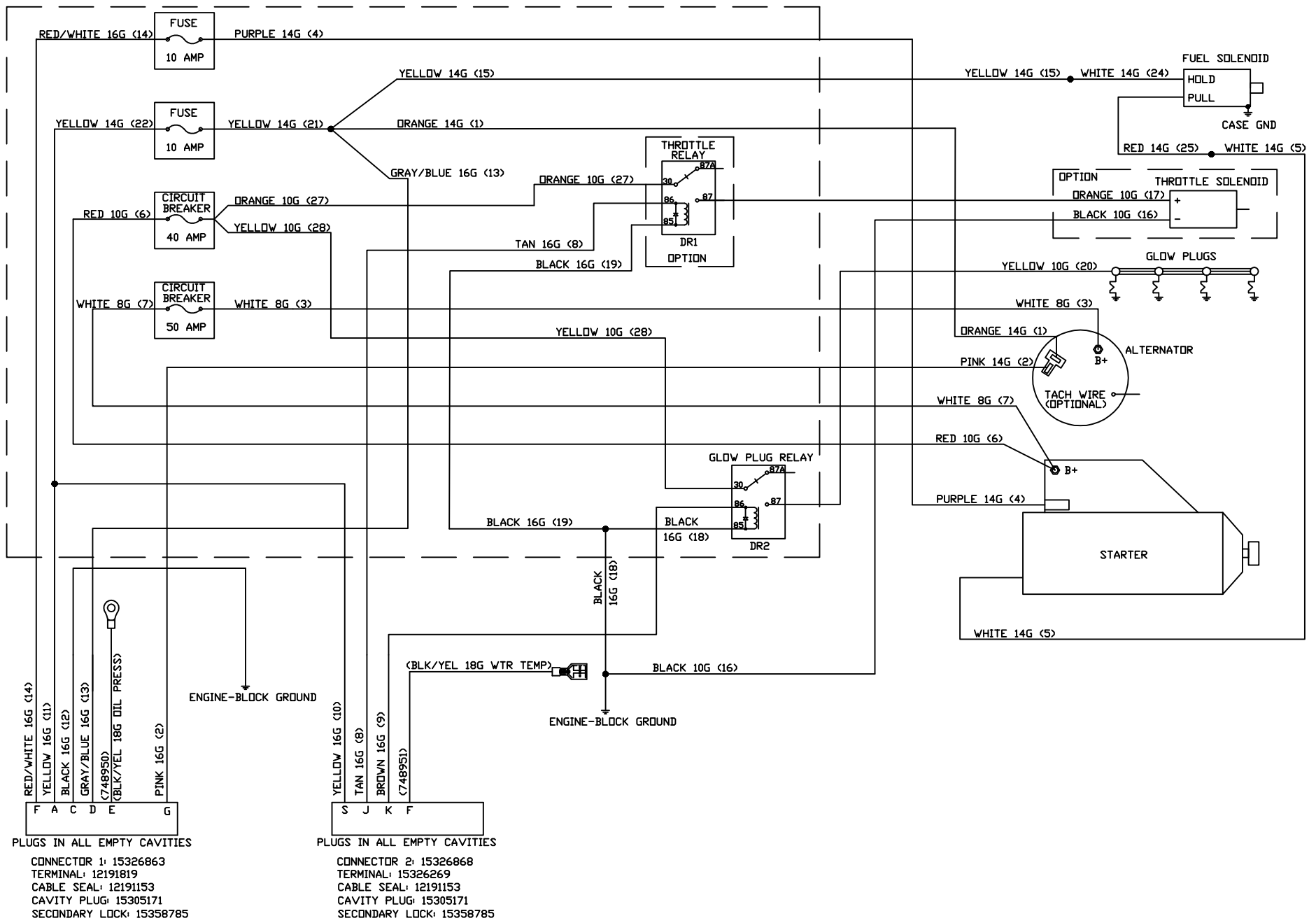


CONTROL BOX



CONNECTOR 1: 15326863
 TERMINAL: 12191819
 CABLE SEAL: 12191153
 CAVITY PLUG: 15305171
 SECONDARY LOCK: 15358785

CONNECTOR 2: 15326868
 TERMINAL: 15326269
 CABLE SEAL: 12191153
 CAVITY PLUG: 15305171
 SECONDARY LOCK: 15358785

DELPHI GT150 CONNECTORS

SEE SHEET 1

CONFIDENTIAL									
THIS DRAWING AND ALL INFORMATION CONTAINED THEREIN ARE THE EXCLUSIVE PROPERTY OF MINUTEMAN INTERNATIONAL, INC. THIS DRAWING IS NOT TO BE COPIED OR OTHERWISE REPRODUCED WITHOUT EXPRESSED WRITTEN PERMISSION OF MINUTEMAN INTERNATIONAL, INC. IN ADDITION, THIS DRAWING MUST BE RETURNED UPON REQUEST. FURTHER, ALL INFORMATION CONTAINED HEREIN MUST BE MAINTAINED CONFIDENTIAL.									
TITLE NAUTILUS ELECTRICAL SCHEMATIC								SCALE NTS	
MATERIAL N/A					FINISH N/A				
TOLERANCES (UNLESS OTHERWISE SPECIFIED)									
0-1" ± 1/16			.000 ± .005		SIZE B		DRAWN BY KHH		DATE 08/03/15
>1-12" ± 1/4"			.00 ± .010		CHECKED BY JWP		DATE 08/03/15		
<12" ± 1/2"			ANGLES ± 30'						
					14N845 U.S. ROUTE 20		P.N. 748992-1		
					PINGREE GROVE, IL 60140				
REV		E.C.N.	DATE	CHANGE			BY	CHK BY	REV E
SHEET 5 OF 5									